

- NOTES:
- * INDICATES A DEVICE REMOTELY MOUNTED FROM THE ELECTRIC PANEL.
 - LAST WIRE NO. USED: 29
 - DASHED LINE INDICATES OPTIONAL ITEMS.

MOTOR AMPS @ VOLTAGE 1725RPM	
HP	208 240 380 415 480 575
3/4	3.2 3.0 1.8 1.7 1.5 1.2
1	3.6 3.4 1.9 1.8 1.7 1.4
1.5	5.0 4.8 2.9 2.6 2.4 1.9
2	6.3 6.0 3.6 3.3 3.0 2.4
3	9.5 8.6 5.0 4.6 4.3 3.3
5	14.7 14.0 8.5 7.8 7.0 5.6
7.5	23.2 22.0 13.3 12.2 11.0 8.8
10.0	29.5 28.0 16.9 15.5 14.0 11.2

MOTOR FUSE SIZE CLASS "CC"	
HP	208 240 380 415 480 575
3/4	6.0 6.0 4.0 4.0 3.0 2.5
1	8.0 7.5 4.0 4.0 3.0 3.0
1.5	9.0 9.0 6.0 5.0 5.0 4.0
2	12.0 12.0 7.5 6.0 6.0 5.0
3	20.0 20.0 9.0 9.0 8.0 6.0
5	30.0 25.0 15.0 15.0 15.0 10.0
7.5	45.0 40.0 25.0 25.0 20.0 20.0
10.0	60.0 50.0 30.0 30.0 25.0 20.0

COMPONENT WATT RATING					
NEMA CONTACTORS	D.P. CONTACTORS	IEC CONTACTORS	RELAYS	SOLENOIDS	LAMPS
00,0,1 24W	40A 4.4W	A08 A12 A18 A24 6.2VA 6.3VA 7.7VA 13.6VA 19.1VA	4PDT .9W	1/4" 10.1W	FULL VOLT 3W
2 60W	60A 6W	A30 A36 A45 13.6VA 19.1VA 24.6VA 30.1VA 35.6VA	2DPT 1.2W	1/2" 10.1W	TRANSFORMER 1.5W
3 82.8W	90A 16W	B110 B180 37.5VA 75VA 112.5VA 150VA 187.5VA 225VA 262.5VA	MACH. TOOL 7W	3/4", 1" 6.1W	IDI INCAND .5W

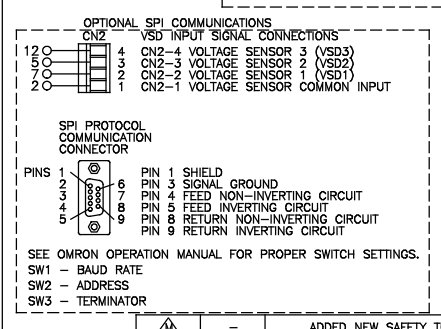
HEATER AMPS @ VOLTAGE	
KW	208 240 380 415 480 600
6	17 15 9 8 7 6
12	33 29 18 17 14 12
18	50 43 27 25 22 17
24	67 58 37 33 29 23
30	83 72 45 42 36 30
36	100 87 55 50 43 35
42	116 101 64 59 51 42
48	115 73 67 58 46

HEATER FUSE SIZE @ VOLTAGE	
KW	208 240 380 415 480 600
6	25 20 12 10 10 10
12	45 40 25 25 20 15
18	70 60 35 35 30 25
24	90 80 50 45 40 30
30	125 90 60 60 45 40
36	125 110 70 70 60 45
42	150 150 80 80 70 60
48	** 150 100 90 80 60

MAIN PROTECTION	
KW	208 230 380 415 480 575
6	25 25 15 15 15 10
12	60 50 30 30 25 20
18	80 70 45 40 35 30
24	100 90 60 50 45 35
30	125 100 70 60 50 45
36	150 125 80 70 70 50
42	175 150 90 80 70 60
48	175 110 100 90 70

CLASS "CC" FUSE	
TRANS PRIMARY FUSE SIZE	SECONDARY FUSE
VA 208 240 380 415 480 575	IF REQ'D
100 1.0 .8 .5 .5 .5 .5	1.6 AMP
150 1.0 1.0 .5 .5 .5 .4	1.6 AMP
250 1.5 1.5 1.0 .8 .8 .8	2.8 AMP
350 2.5 2.0 1.5 1.5 1.0 .8	4.0 AMP
500 3.0 3.0 2.0 2.0 1.5 1.5	5.8 AMP
750 5.0 5.0 2.5 2.5 2.5 2.0	8.0 AMP

* = CLASS "J" FUSE
 ** = REQ. 4 CONT. TO REMAIN UNDER 60A TERM. AMP.



SYMBOL	ECN#	DESCRIPTION	DATE	BY
△	-	GREEN LIGHT WAS AMBER	10/16/03	GJM
△	-	ADDED OPTIONAL 2H	8-22-02	GJM
△	00-5316	CONTROLLER WAS E5AX	1-11-00	GJM
△	98-1011	CHANGED 7CR TO OPTIONAL	1-20-98	DAW
△	97-1130	CHANGED 6CR & TSTA J T/C INPUT	11-26-97	MDH
△	96-1188	ADDED TIMER AND SAFETY THERMOSTAT	12/30/96	DAW
△	94-1190	ADDED OPTIONAL COMMUNICATIONS	10/05/94	KEW
△	94-1004	ADDED 6CR, REWIRED CNTL PWR SW	01/11/94	KEW
△	93-5077	REWIRED 3CR TO LATCH MAN. COOL	12/28/93	KEW
△	93-2374	UPDATED 2CR TO CURRENT WIRING	11/02/93	KEW
△	-	RELEASED TO PRODUCTION	-	-

Application Engineering

Application Automation

AEI INC./801 AEC DRIVE/WOOD DALE, IL 60191-1198 U.S.A.
 (708) 595-1090/FAX (708) 595-8641

DIAG,ELEM,TDH4/TDH5

DRAWN BY: GSR DATE: 9-17-93 SCALE: NONE SHEET: 1 OF 1
 CHECKED BY: JOB NO. Dwg. No. D682-82184